

A30T photoemission switch for elevator and lift



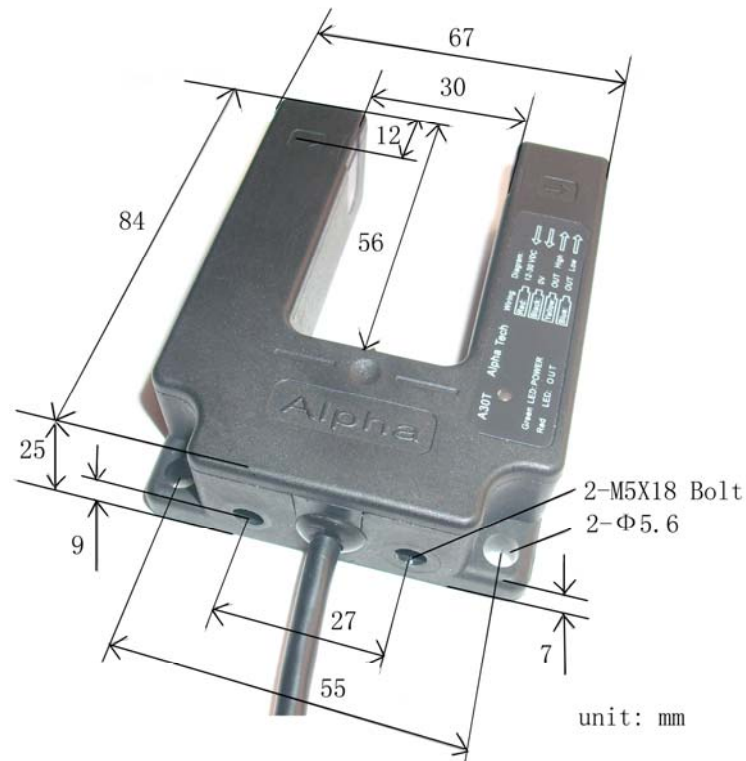
ZHUHAI ALPHA E&M CO, LTD.



ADDRESS: 4th Floor No.1200 Jiuzhou Road Zhuhai China
TEL: 0756-3326073 3326175 FAX: 0756-3326352
WEB: <http://www.alpha-lift.com> E-MAIL: alift@163.com
MOBILE : 13928050542 13326621995

1. Outline:

Outline : 84X67X25 black



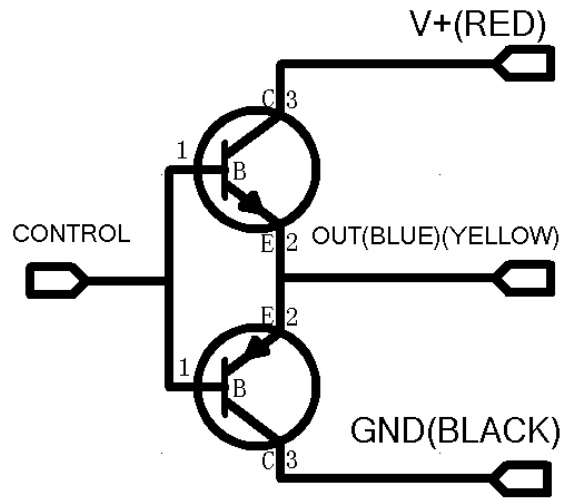
2. Technical characteristics:

- ★ A30T is easy to install or adjust easier to debug.
- ★ the achievement consume low, service life long, respond to frequency high.
- ★ Have the power supply pole protection and load short-circuit Protect function.

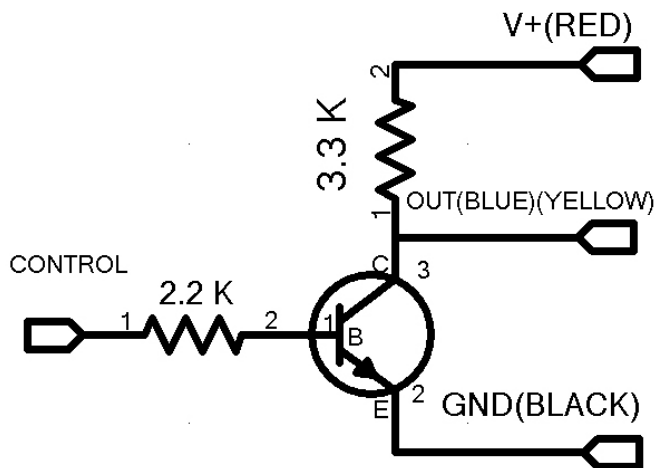
※Technical index:

- ★ Input voltage: DC10-30V ($\pm 10\%$)
- ★ Output mode: NPN output or Push-Pull output mode or relay output .
- ★ Output current: 200mA.
- ★ Action distance: 30mm,
- ★ Switch life: > ten million times.
- ★ weight : 70g

3. wiring diagram



Pull and push



NPN OUTPUT

WIRING NOTE:

- RED: POWER +
- BLACK: GND
- YELLOW: ACTION , HIGH OUTPUT
- BLUE: ACTION, LOE OUTPUT